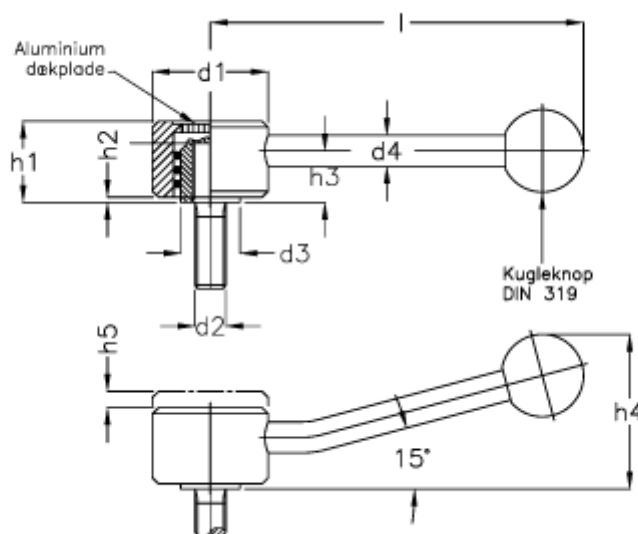


Article number: 20497878

Description: E+G adjustable tension lever
GN125-32-M10-20-D

Measures



| | |
|-------------|------------|
| $d1 = 32$ | $h5 = 4.0$ |
| $d2 = M10$ | $l = 20$ |
| $d3 = 13.5$ | |
| $d4 = 8$ | |
| $h1 = 20.5$ | |
| $h2 = 1.5$ | |
| $h3 = 12.5$ | |
| $h4 = 36$ | |